

MacroBox for Canon S90

(c) Matěj Boháč, 2011

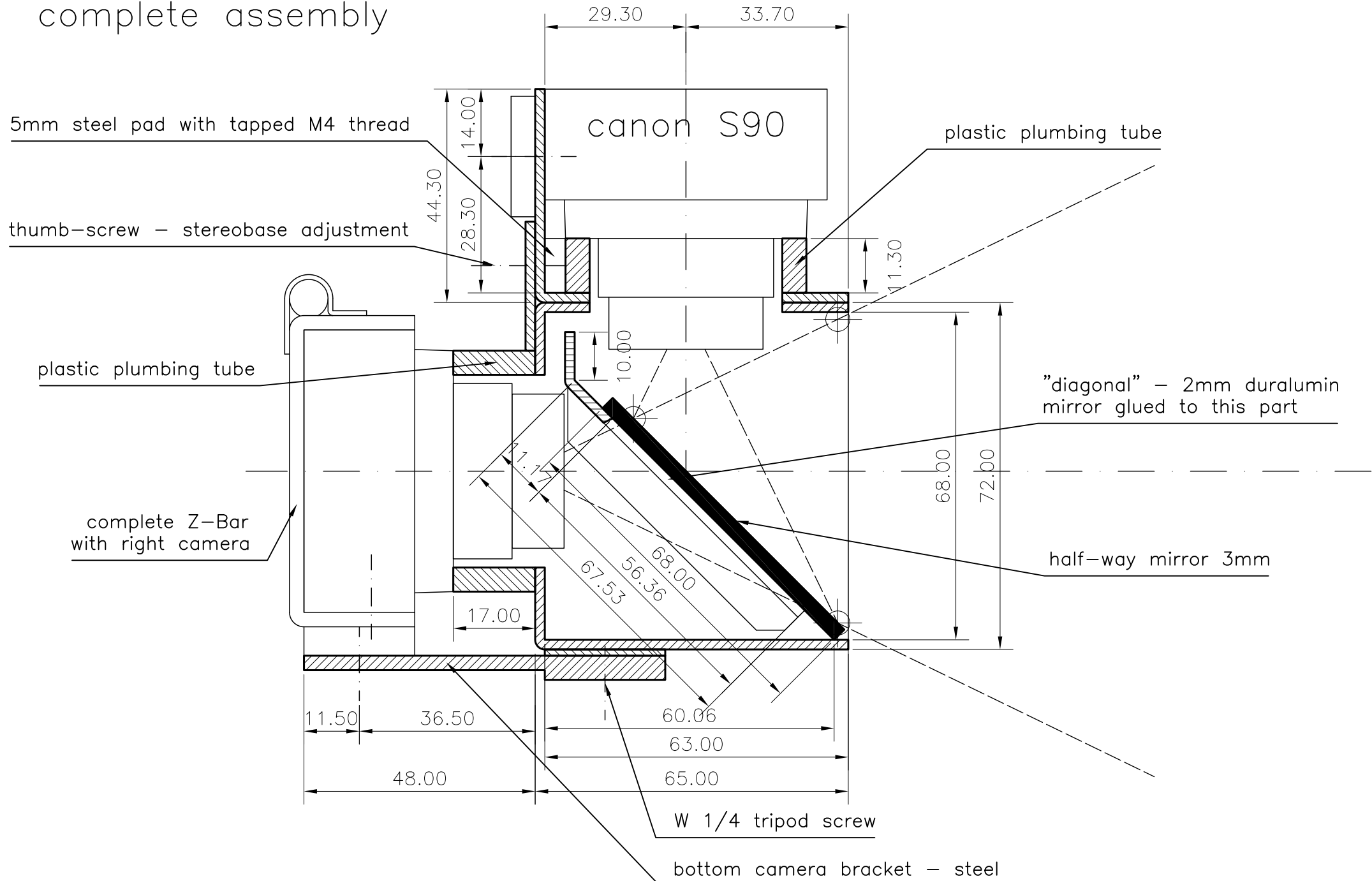
mbohac@volny.cz, +420 608408308

<http://klub.stereofotograf.eu/macrobox.php>

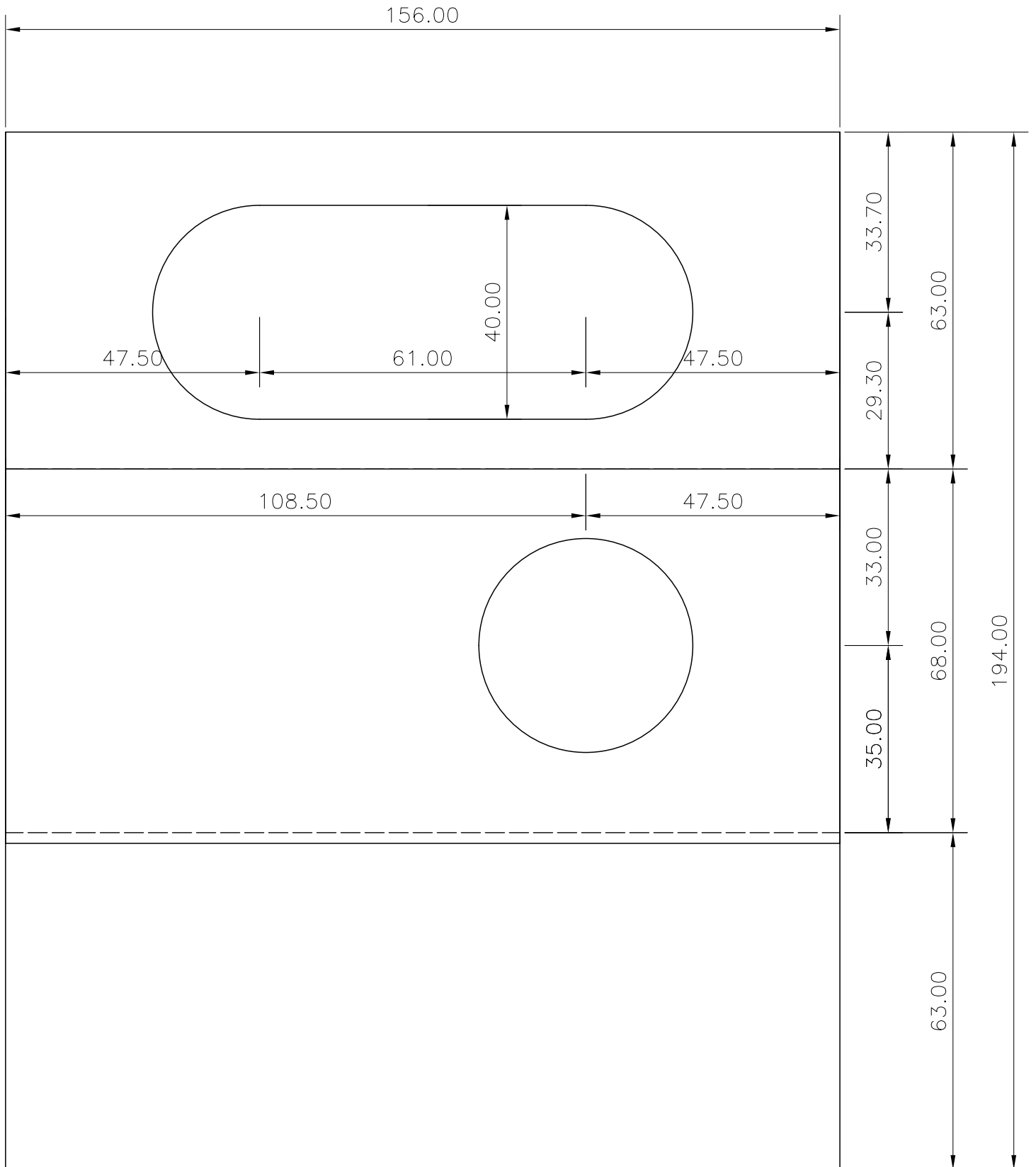
note: these are not complete construction drawings,
but drafts I made for myself. Use for whatever you
like, change to suit your requirements... but at your
own risk :-)

Scale 1:1 if printed on A4 without resizing

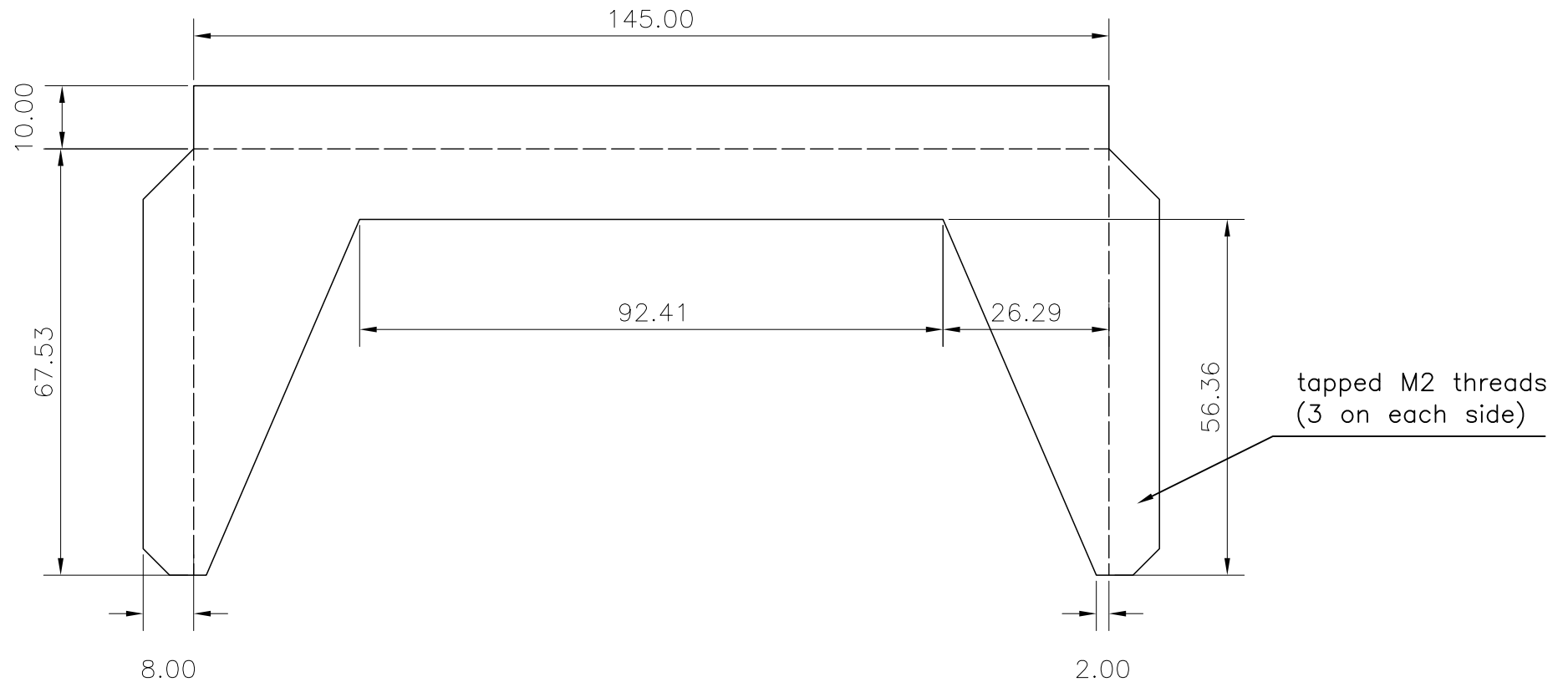
cross section
complete assembly



Unfolded envelope
2mm duralumin



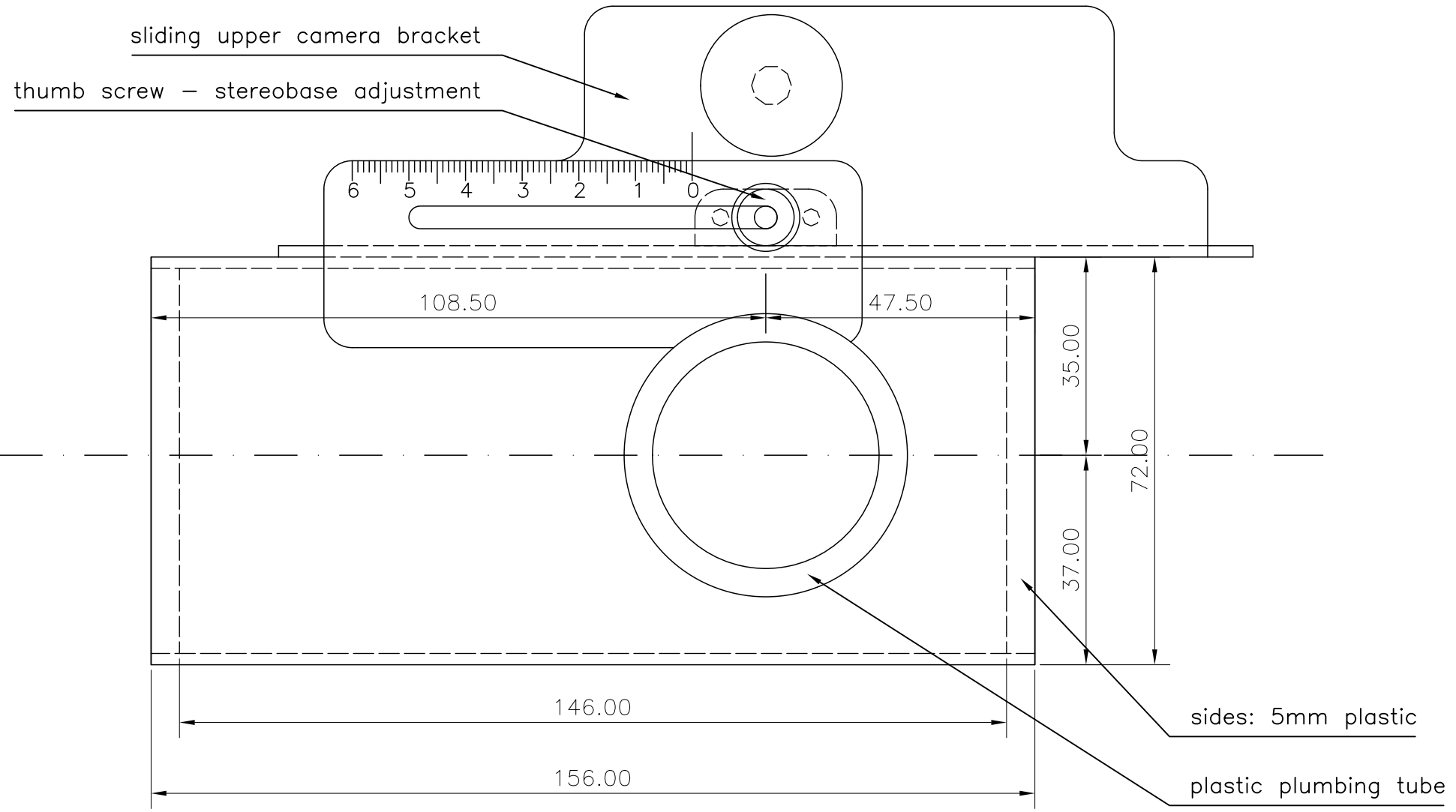
the "diagonal", unfolded
2mm duralumin



the mirror is glued to this part

IMPORTANT: this part is screwed to the plastic sides of the box with M2 screws. When loosened, the screws can move slightly in the plastic sides allowing fine mirror positioning

back view – complete assembly



Top view of the sliding upper camera bracket
2mm duralumin, "L" shape in section

